

# High & Wide Unit Product Features

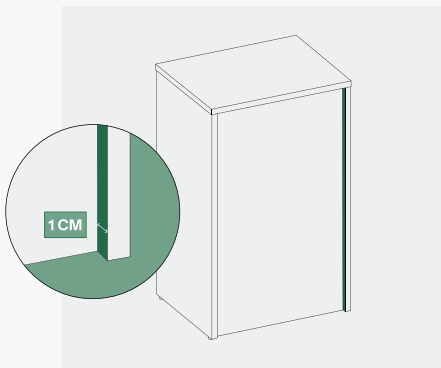
## Standard Front Recess

Cabinet doors and drawers are recessed 1cm from the carcass.



## Standard Back Recess

Back is recessed 1cm from the top carcass.



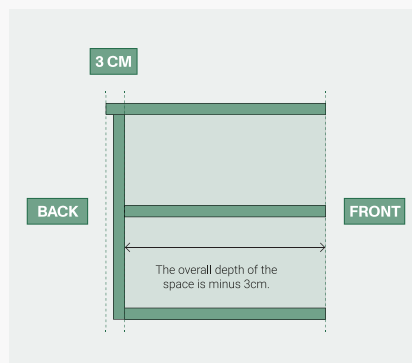
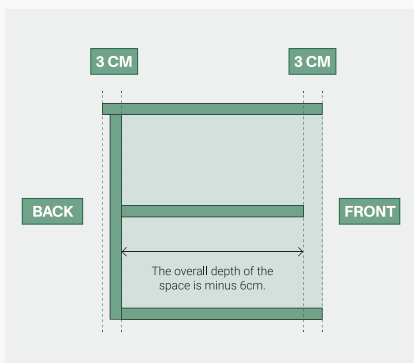
Plinth and Sliders



Metal Legs

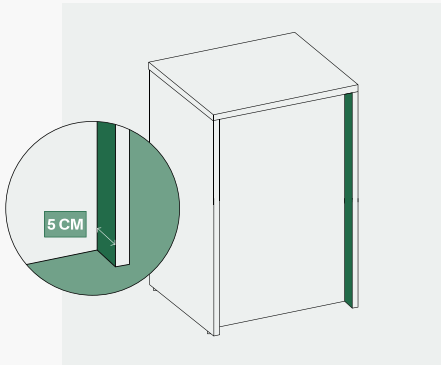
## Shelves vs. Horizontal Partitions

The shelves are recessed back 3cm from the front of the carcass and another 3cm from the back panel, totaling to 6cm. Horizontal panels, on the other hand, are recessed only 3cm from the back panel. Horizontal partitions are used to create new internal compartments whilst shelves allow doors to cover them.



### Recessed Back Option

This option features a recessed back of 5cm from the carcass. The feature can be used to hide any sockets behind the product.



Plinth and Sliders

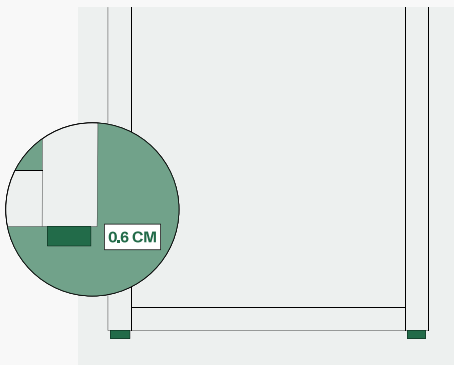


Metal Legs

---

### Sliders Detail

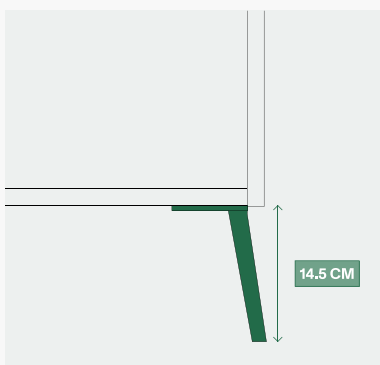
Sliders elevate the product 6mm from the floor.



---

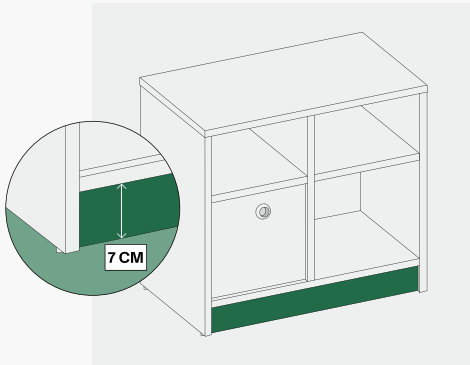
### Leg Detail

Metal legs are at a height of 14.5cm in a black finish.



### Plinth Detail

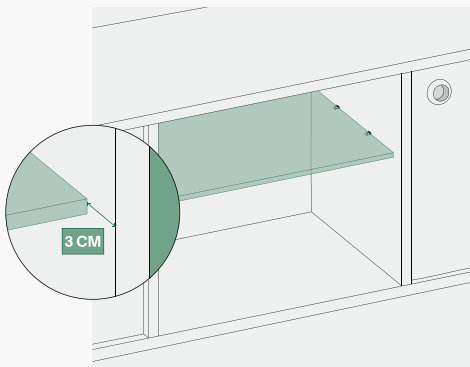
The plinth is 7cm in height and recessed 1cm from the carcass, matching with the product's doors and drawers' recess.



---

### Tempered Glass Shelf Detail

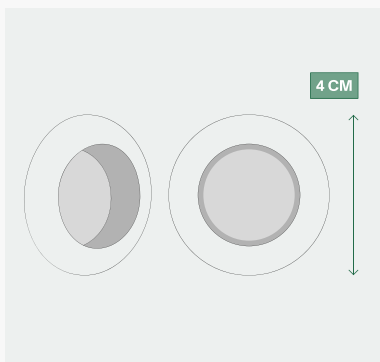
8mm thick tempered glass shelf recessed 3cm from the carcass allowing enough space to be covered by cabinet door.



---

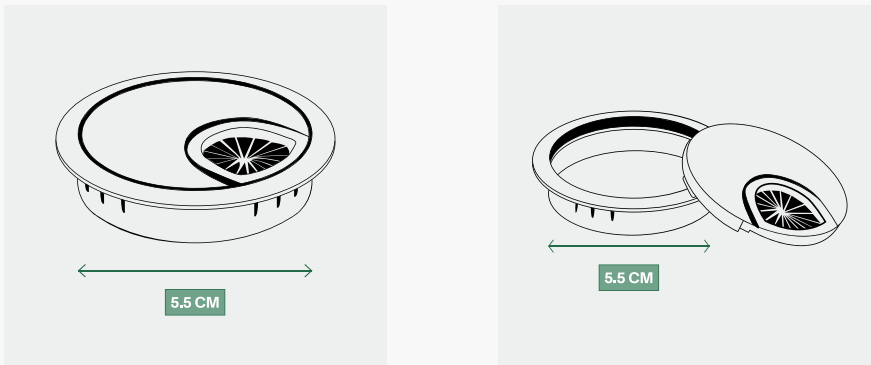
### Handle Detail

Round embedded wooden handle at a diameter of 4cm.



### Grommet Detail

Manage your cables effectively with a versatile black plastic cable port featuring a detachable cover. This port is compatible with a wide range of plug and cable sizes, and its inner circle has a 5.5cm diameter.

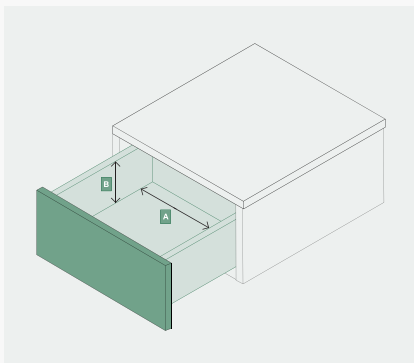


### Internal Drawer Height

A: The internal width of the drawer is 4.5cm less than the total width of the compartment.

B: The internal height of the drawer is 4cm narrower than the total height of the compartment.

C: The depth of the drawer depends on the rails used for the product's drawer depth. For more details, please reach out to us via our chat, highlighting your product overall. depth.



### Shoe Shelf Detail

Shoe racks are wooden shelves inclined at a 75° angle and have a total depth space of 31.7cm providing ample space to fit your shoes.

